

SLIDE VALVES

MANUAL TYPES SM & OM

MANUAL TYPE SM

- SIZES 4 INCHES TO 12 INCHES ROUND OR SQUARE
- SHALLOW OVERALL DEPTH
- MACHINED CAST ALUMINUM BODY
- STAINLESS STEEL SLIDE PLATE
- FOR IN-LINE USE

A range of low cost manual valves for powders. The shallow overall depth with inlet and outlet flanges identical and no other protrusions allows the valve to be used where vertical height is limited. The felt seal around the slide plate is contained in an adjustable stuffing box. The aluminum alloy body and 304 stainless steel slide plate, running on nylon 66 adjustable supports, permit the valve in its standard form to be used with a wide variety of materials in the chemical, plastics, foodstuffs, etc., industries. Maximum operating temperature 120°C. Also available in all stainless steel.



MANUAL TYPE OM

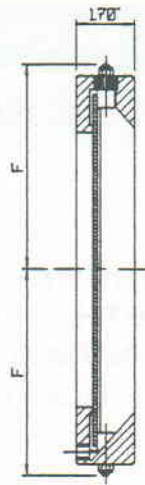
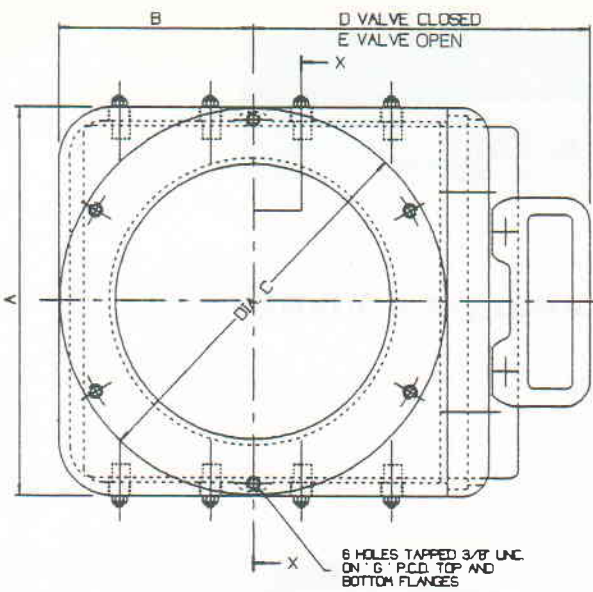
- FOR OPEN DISCHARGE ONLY
- SIZES 4 INCHES TO 12 INCHES ROUND OR SQUARE
- SHALLOW OVERALL DEPTH
- MACHINED CAST ALUMINUM BODY
- STAINLESS STEEL SLIDE PLATE

A low cost valve designed especially for use with transportable hoppers containing various powdered and granular material. There is no lower flange and the valve is therefore suitable for open discharge applications only.

The shallow overall depth allows the valve to be used where vertical height is limited. The aluminum alloy body and 304 stainless steel slide plate, running on nylon 66 adjustable supports, permit the valve in its standard form to be used with a wide variety of materials in the chemical, plastics, foodstuffs, etc., industries. Maximum operating temperature 120°C. Also available in all stainless steel.



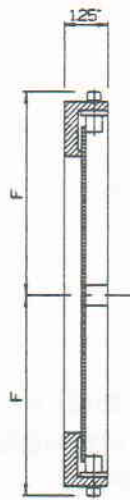
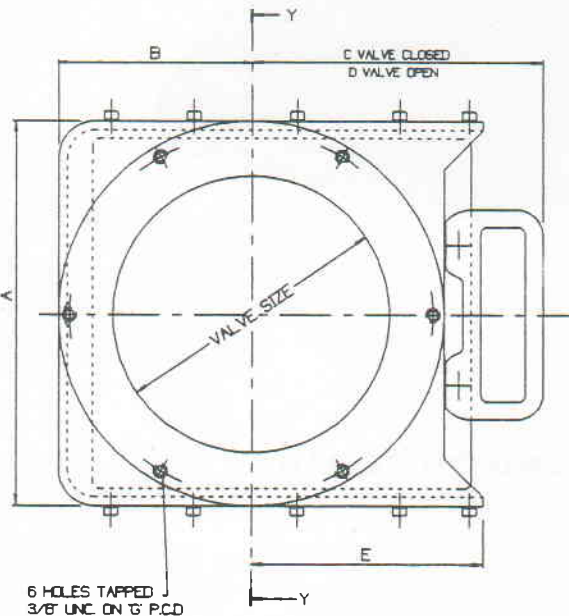
Britton
POWDER CONTROL



SECTION X - X

VALVE TYPE SM

MODEL SM	NOMINAL OPENING	A	B	C	D	E	F	G	H CRS.	Wt lbs.
100	4"	7.16	3.58	7.10	7.75	12.00	4.00	6.38	2.75	7.2
150	6"	9.13	4.56	9.10	8.67	15.00	5.00	8.38	3.75	10.8
200	8"	11.00	5.55	11.00	9.67	18.00	6.00	10.38	4.75	13.95
250	10"	13.00	6.54	13.00	10.67	21.00	7.00	12.38	5.75	18.00
300	12"	15.00	7.50	15.00	11.67	24.00	8.00	14.38	6.75	22.05

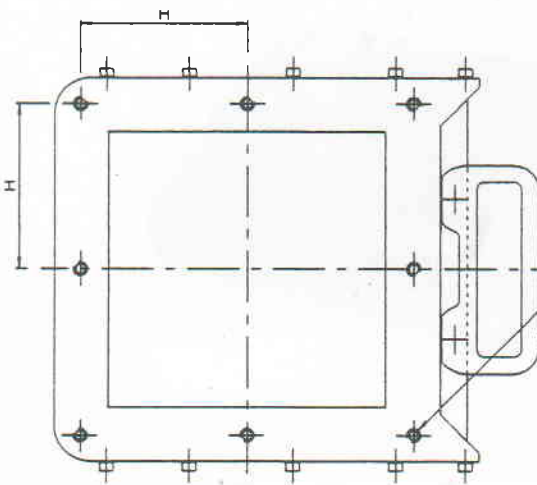


SECTION Y - Y

VALVE TYPE OM

MODEL OM	NOMINAL OPENING	A	B	C	D	E	F	G	H CRS.	Wt lbs.
100	4"	7.08	3.50	5.90	10.00	4.65	4.00	6.38	2.75	3.83
150	6"	9.06	4.50	6.25	13.00	5.65	5.00	8.38	3.75	5.63
200	8"	11.00	5.50	8.25	16.00	6.65	6.00	10.38	4.76	7.88
250	10"	13.00	6.50	9.25	19.00	7.65	7.00	12.38	5.75	11.25
300	12"	15.00	7.50	10.25	22.00	9.25	8.00	14.38	6.75	14.82

FLANGE DETAIL OF SQUARE VALVES TYPES OM + SM.



SM VALVES : 8 HOLES TAP 3/8" UNC. TOP AND BOTTOM FLANGES
 OM VALVES : 8 HOLES TAP 3/8" UNC. TOP FLANGE ONLY



800-304-8864
www.dahnkesales.com